



PROTECT

combined with active carbon



FOR
AUDI

A4 A/C+/- (12/00 >)

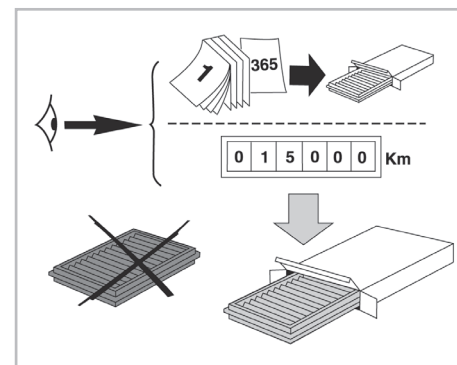
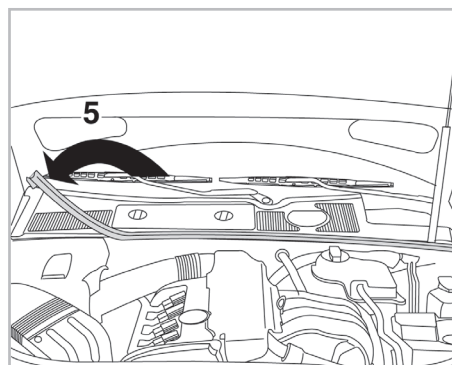
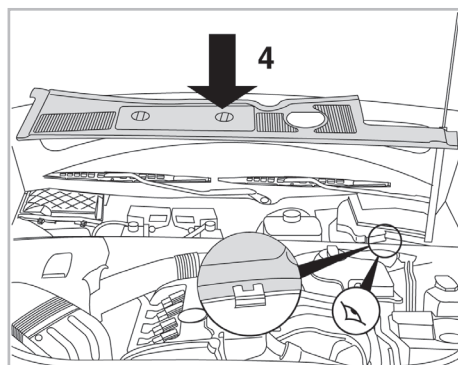
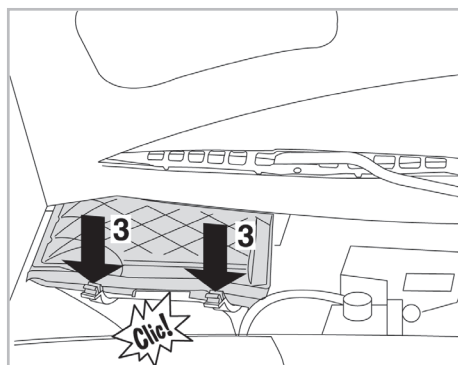
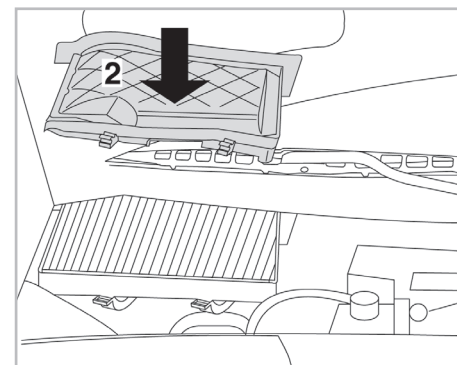
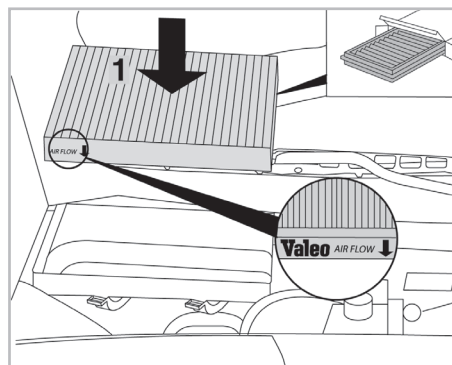
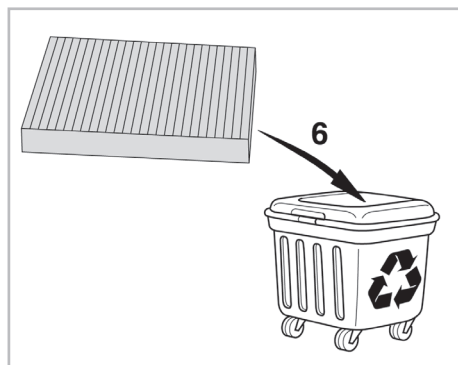
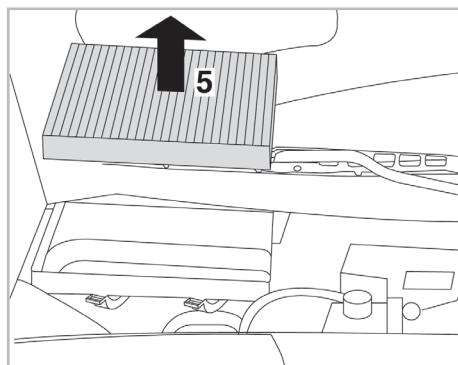
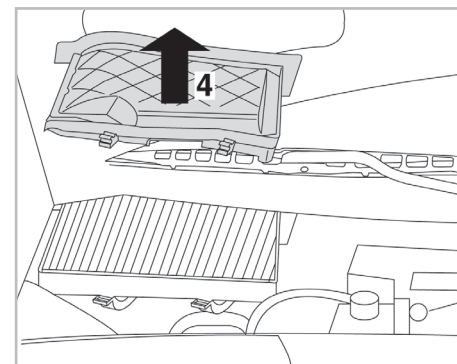
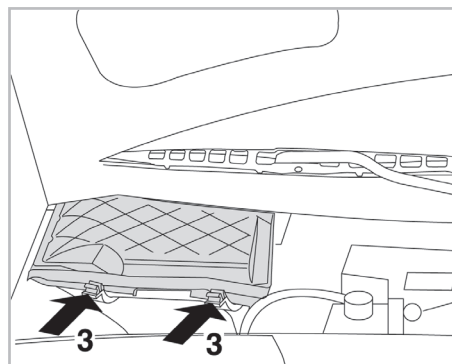
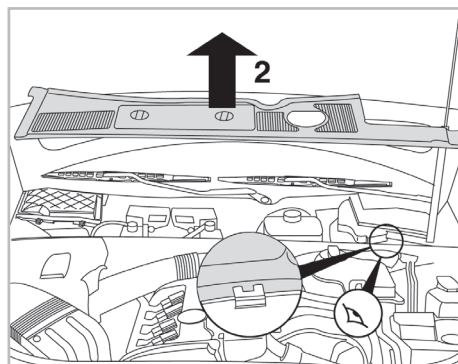
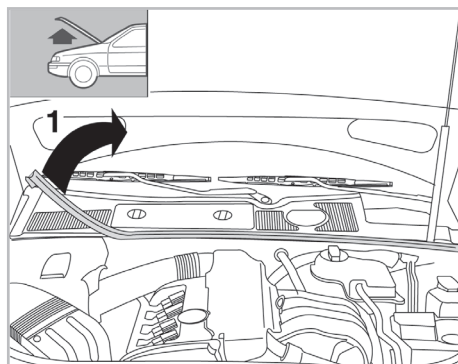


698683

FH308



CA



WANT TO
KNOW MORE?



www.valeo-techassist.com

Valeo Service - Société par Actions simplifiée - Capital de 12 900 000€ - 70, rue Playel, 93285 Saint-Denis Cedex - France - B 306 486 408 RCS Bobigny



PROTECT

combined with active carbon



FOR
AUDI

A6 A/C- (11/98 > 05/01)

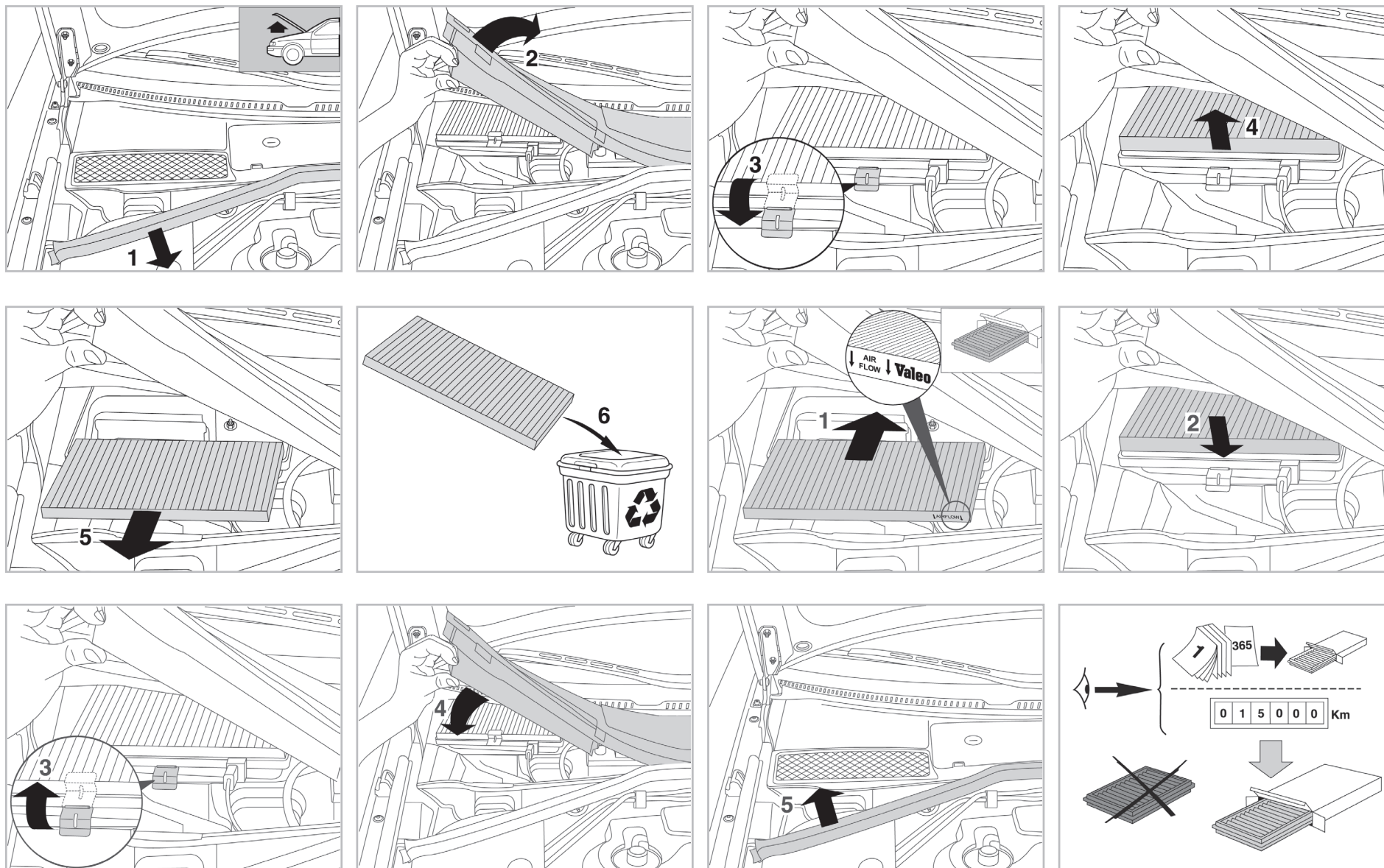


698683

FH308



CA



WANT TO
KNOW MORE?



www.valeo-techassist.com

Valeo Service - Société par Actions simplifiée - Capital de 12 900 000 € - 70, rue Playel, 93285 Saint-Denis Cedex - France - B 306 486 408 RCS Bobigny